

Presence detector PD-2400

Product data sheet

Art nr: 13144



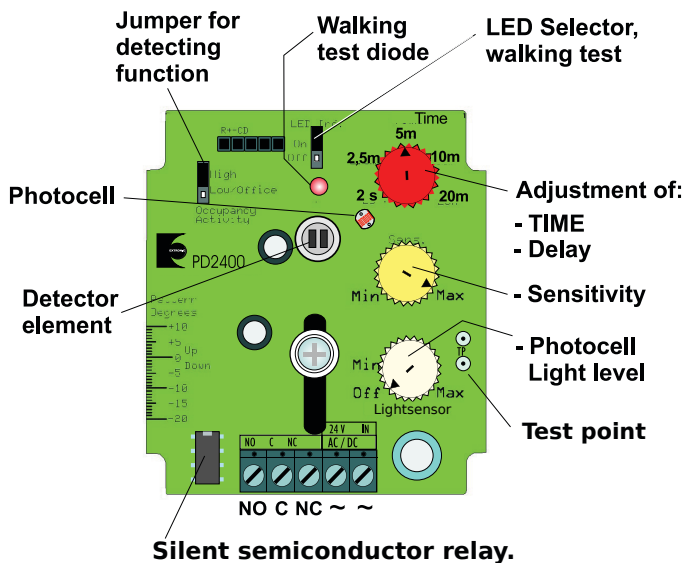
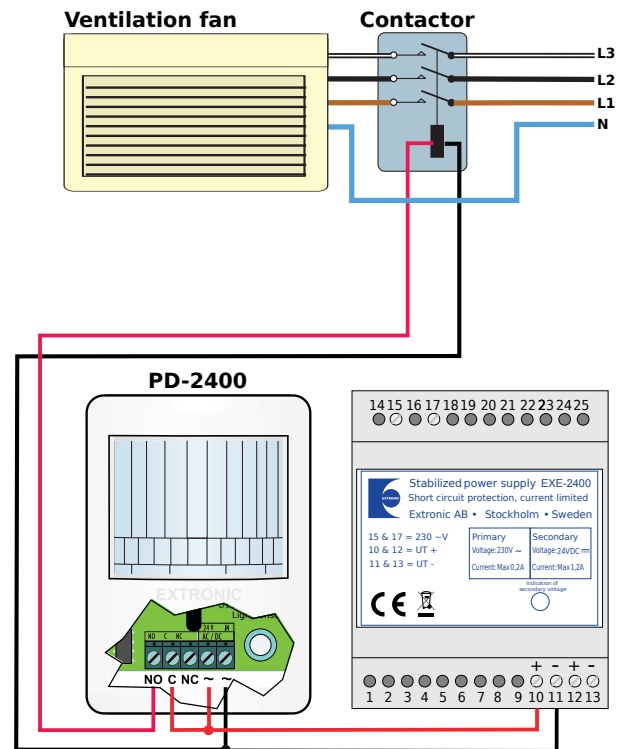
Features

- The detector is a passive infrared detector for presence detection.
- It has a very sensitive dual-element, low-noise pyroelectric detector.
- It has a completely silent semiconductor relay.
- Counting the pulses is a slower method that detects presence in a locality with low activity.
- A build in photocell can be used for blocking the switching light on function when there is enough daylight.

Output

- Freely alternating semiconductor relay with silent operation.

Standard wiring



Technical specifications

Adjustment:	
Vertical:	+10° till -20° calibrated scale.
Horizontal:	Up to 30°.
Elektrical:	
Voltage:	15 - 26 VAC / 18 - 37 VDC.
Current:	20 mA @ 24 VDC.
Start-up time:	< two minutes.
Relay output:	Silent semiconductor relay. 200 mA, ± 60 VDC. Output resistance max. 20 Ω.
LED:	Walking test (switchable).
Test point:	For background interference.
Detector:	Dual-elements, low-noise, pyroelectric detector.
Housing:	IP42.
Dimensions: (B x H x D):	102 x 70 x 50 mm.
Weight:	98 g.

Examples of premises where presence detection with PD-2400 is suitable

- Corridors
- Offices
- Classrooms
- Garage